



# PROSPECTUS

## 2024-25



(Accredited by NAAC with B Grade)



বৰক্ষেত্ৰী মহাবিদ্যালয়

**BARKHETRI COLLEGE**

*(Accredited by NAAC with B Grade)*

**PROSPECTUS 2024-25**



Narayanpur, Mukalmua

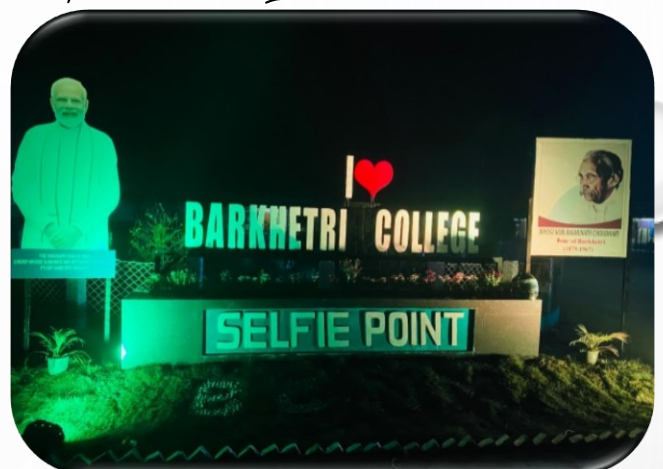
Nalbari, Assam, Pin – 781126

**Website:** [www.barkhetricollege.ac.in](http://www.barkhetricollege.ac.in)

**Email:** [barkhetricollege83@gmail.com](mailto:barkhetricollege83@gmail.com)



# Glimpses of College Campus





## OUR MOTTO

# तमसो मा ज्योतिर्गमय

Lead me from the darkness (of ignorance) to light (of wisdom)

## OUR VISION

- ✓ To provide an opportunity to the youths of this locality and help them to acquire knowledge and skills in the field of education through which they can develop their potentialities and also contribute to the society at large.
- ✓ The college strives to facilitate quality education for the development of the individuality of each and every student according to their needs and aspirations.

## OUR MISSION

To encourage all the sections of the society with proper attitude, values, analytical power and academic excellence

## GOVERNING BODY

|                                   |                         |
|-----------------------------------|-------------------------|
| President                         | : Dr. Ramen Talukdar    |
| Secretary                         | : Dr. Bhaskar Kalita    |
| Gauhati University Nominee        | : Mr. Santikam Hazarika |
| Gauhati University Nominee        | : Dr. Hemendra Sharma   |
| Donor member                      | : Mr. Narayan Deka      |
| Guardian member                   | : Mr. Shanbor Ali       |
| Guardian member                   | : Mr. Azim Saikia       |
| Teachers representative           | : To be selected        |
| Teacher's representative          | : To be selected        |
| Non-teaching staff representative | : To be selected        |
| Ex-officio member                 | : Mrs. Papari Haloi     |



# MESSAGE FROM THE PRINCIPAL



On behalf of Barkhetri College Fraternity, I would like to welcome all of you, coming to learn various new things with pure heart and soul from various corners of Barkhetri area mainly from Char areas. The college which has to suffer many obstacles in order to exist and now in a reckonable position by dint of many philanthropist like Sheikh Mobarque Hussain, founder principal of Barkhetri College, is now a full fledged institution of higher learning with both Arts and Science stream. It has good number of students and well qualified as well as experienced faculty members. The college has a stock of over ten thousand books of different subjects in our library to carry out academic journey for aspiring students. Recently, we have also added internet browsing facilities in the library. Every Science department has well equipped laboratories to carry out laboratory experiments to fulfil their course requirement. The college has also set up new computer laboratory, which will be usable for newly admitted students. Moreover, college has introduced two new vocational courses, namely (i) Aquaculture worker and (ii) Organic grower under Indian Institute of Entrepreneurship and a laboratory technician course is also in the lineup. Over the years, thousands of students have passed out from our college with new zeal to join the public life. Recently, the college has attain a new height by the accreditation from NAAC with B grade .

I sincerely hope that when you join the college you will also strive hard to emulate your potentiality in coming days. I once again welcome you all to our college.

Dr. Bhaskar Kalita  
M.Sc., B.Ed., M. Phil, Ph.D.  
Principal, Barkhetri College





## COLLEGE PROFILE

Barkhetri College was established in 1983. It is a long story of the most determined struggle, selfless, dedicated service and sacrifices made to the cause of education by some distinguished persons, teachers under the guidance and leadership of Sheikh Mobarque Hussain who was also the founder Principal of the college. The college is permanently affiliated to Gauhati University (GU), Assam, offering Bachelor of Arts (BA) and Bachelor of Science (BSc) degree. Besides, the college has one Distance Education Study Centers under Gauhati University. The college has metamorphosed today into a doubled streamed (Arts & Science) institution of higher learning, offering a wide range of programmes and courses to students coming from every nook and corner of the Barkhetri constituency and its surrounding area. The college is most ideally situated in the midst of Barkhetri on the bank of Mahabahu Brahmaputra covering almost 50 bighas of land with its green landscape that enhances the atmosphere of the college to an educational paradise. The built-in area encompasses one RCC building. It is the 2<sup>nd</sup> oldest amongst the three undergraduate colleges in the greater Barkhetri area. The surrounding locality is famous for its social harmony, unity and integrity among the inhabitants irrespective of caste, community and religion. It has been catering not only to the higher educational aspirations of the youth of the region but also providing various employment opportunities. The college boasts of a vibrant environment through participative and decentralized involvement of students, teachers, alumni, guardians, retired teachers and local community in various perspectives and activities. A wide range programmes have been introduced in the college through 16 departments with highly qualified and experienced teachers.

## LOCATION

The college is located at Narayanpur, Mukalmua, which is situated in the midst of Barkhetri area of Nalbari district of Assam. The coordinates of the location is 26.2762° N, 91.3530° E.

## COLLEGE WEBSITE

[www.barkhetricollege.ac.in](http://www.barkhetricollege.ac.in)



### COURSES OFFERED

- Four years Degree course in Arts and Science Stream** as per the Four years Undergraduate Programme (FYUGP) of Gauhati University.
  - Four years undergraduate programmes, 2 years PG programmes, Diploma for 10+2 various certificate courses under Krishna Kanta Handique State Open University (KKHSOU)
  - Short term training on Organic Grower and Aquaculture worker by Institute of Entrepreneurship, Government of INDIA.
  - Computer Basic, HTML Data entry, C language course, R Programming
- Details about the vocational courses would be provided in due course

### Salient Features of Four years Undergraduate Programme (FYUGP)

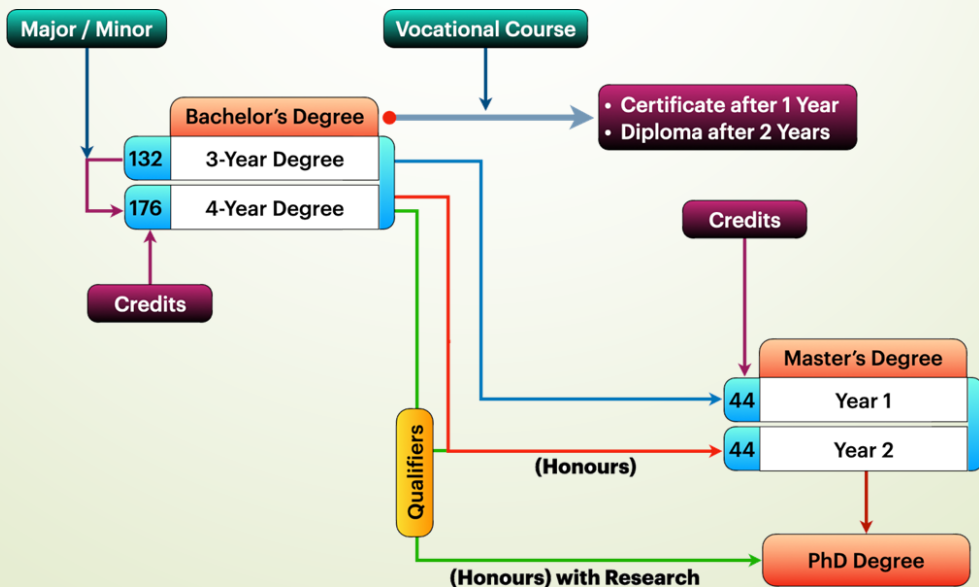
- Duration:** It is a 4-year degree programme under New Education Policy’s (NEP’s) FYUGP.
- Exits and Entries:** Students can choose to exit from the program thrice – after one year, after two year and after three years.

| Exit year of FYUGP | Awarded by                  |
|--------------------|-----------------------------|
| 1 year             | Certificate                 |
| 2 years            | Diploma                     |
| 3 years            | Bachelor's Degree           |
| 4 years            | Bachelor's Degree (Honours) |

**Note**  
After exiting in the middle, Students can enter the programme again and start from where they left

Every student who wants to exit before 3 years into the programme, **MUST** complete an additional Vocational Course of 4 credits.

- Honours and Majors:** In FYUGP, a Bachelor’s Degree with Major after 3 years and a Degree with Major & Honours is awarded after 4 years.
- Progression:** Students exiting the FYUGP after 3 years will need to take admission into the first year of a Master’s Programme ( which is a 2 year programme). However, after completing 4 year FYUGP programme, students will take admission into the second year of a Master’s programme.



- After completing the Master’s Programme, Students can take admission into Doctoral Programme leading to Degree of PhD. **However, If a student is exceptionally good, one can directly take admission into a Doctoral programme right after the FYUGP, bypassing the Master’s programme.**





Two parts of a course under FYUGP – (a) Core courses (b) Common courses

Highlights throughout the years

First year (Semester I & II): Three different core subjects (one paper of each subjects per semester) + a host of common subjects as per UGC's Curricular Framework.

Second Year (Semester III and IV)

Semester III: Declare one of the core subjects as Major and other two as Minors.

Note: One may change a Minor subject in third semester with some conditions.

Semester IV: Only Major subjects will continue. Major will have at least four papers, some of which may be elective depending on the subject concerned.

Note: One may get option to change the Major to any one of the other two Minor

Third Year: Major subject will continue, and a full set of 15 papers has to be completed.

Fourth Year: It will contain advance courses which will be at the level of initial Master's degree papers. Besides, there is opportunity of engaging into research work with the faculty

New Unique Features of FYUGP

Open Core Credits

From fourth to Sixth semester, Students will have time for 4 optional open core credits per semester, which one can utilise to study either of the Major or two Minors. They can also come handy, if one had changed a Minor subject in between.

Double Major

Students can convert one of the Minors to a second Major by the time one completes 3 or 4 years of study by taking some extra online courses (from designated sources only) related to the Minors. In this case, one will have a Bachelor's Degree with Double Major.

Details of Curriculum

Degree with Major and Minor

|         |            | Core Courses   |          |          |   | Common Courses   |           |         |  |
|---------|------------|--|----------|----------|---|------------------|-----------|---------|--|
| Credits | Semesters  | Major  | Minor #1 | Minor #2 |   |                  |           |         |  |
| 22      | Year 1 I   | Sub-1 4  | Sub-2 4  | Sub-3 4  | VAC-1 2   | SEC-2 3          | Multi-1 3 | AEC-1 2 |  |
| 22      | Year 1 II  | Sub-1 4  | Sub-2 4  | Sub-3 4  | VAC-2 2   | SEC-1 3          | Multi-2 3 | AEC-2 2 |  |
| 22      | Year 2 III | Sub-1 4  | Sub-2 4  | Sub-3 4  | SEC-3 3   | Multi-1 3        | INT-1 4   |         |  |
| 22      | Year 2 IV  | Sub-1 4  | Sub-1 4  | Sub-1 4  | Sub-1 4   | Optional 1/2/3 4 | VAC-2 2   |         |  |
| 22      | Year 3 V   | Sub-1 4  | Sub-1 4  | Sub-1 4  | Sub-1 4   | Optional 1/2/3 4 | AEC-1 2   |         |  |
| 22      | Year 3 VI  | Sub-1 4  | Sub-1 4  | Sub-1 4  | Sub-1 4   | Optional 1/2/3 4 | AEC-2 2   |         |  |
| 44      | Year 4 VII | Advanced Core (6 Courses) & Dissertation (16 Credits) Degree (Honours) with Research |          | OR       | Advanced Core (10 Courses) Degree (Honours) with Research |                  | 40        | REM 4   |  |
|         | VIII       |  |          |          |   |                  |           |         |  |



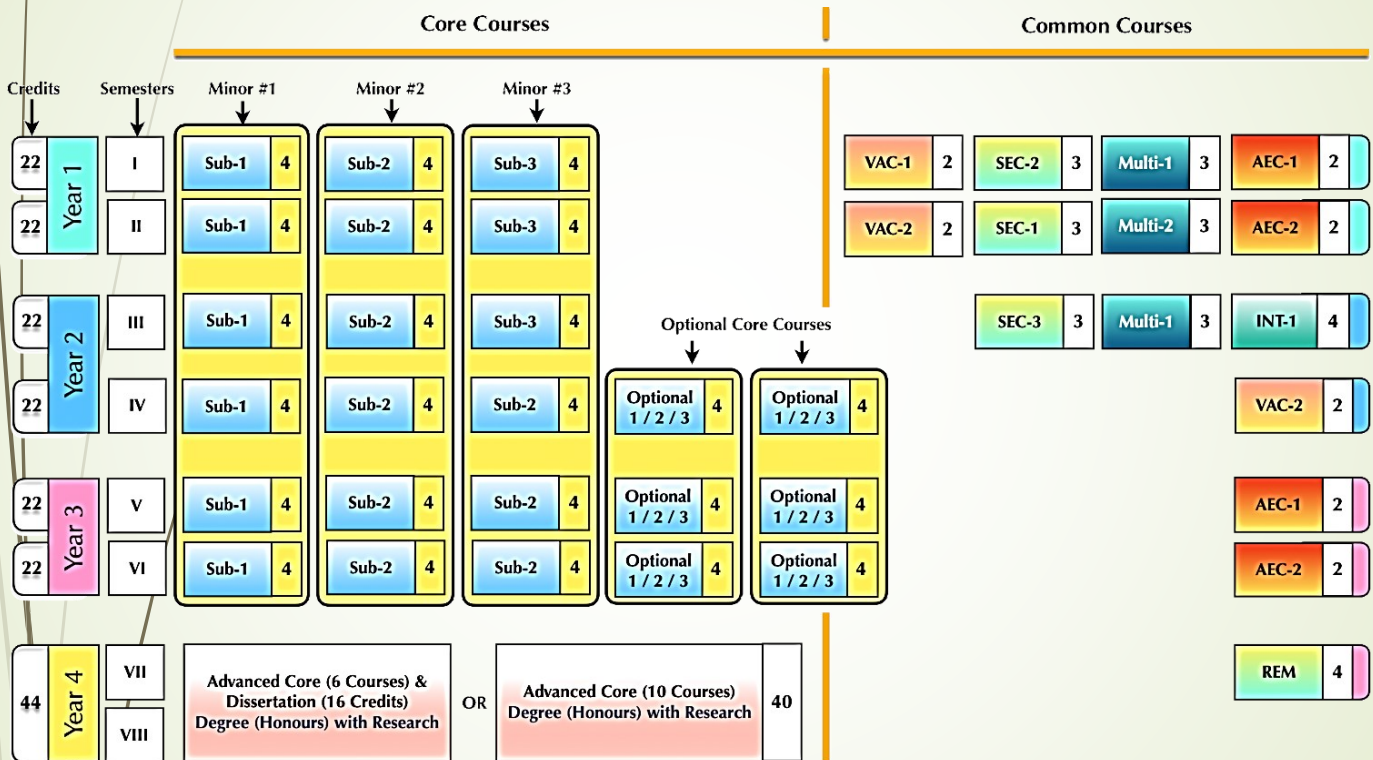
**VAC** – Value Added Course  
**SEC** – Skill Enhancement Course  
**Multi** – Multidisciplinary Course

**AEC** – Ability Enhancement Course  
**INT** – Internship  
**REM** – Research Methodology

### Core course description

In this case, a student takes a Major subject with minimum 15 core courses and two Minor subjects with a minimum of 3 courses each over a period of three years. Apart from these, the student also needs to take 3 Core courses during Semesters 4-6 where s/he can pick any of the three core subjects s/he has already studied.

## Degree with only Minors



### Core course description

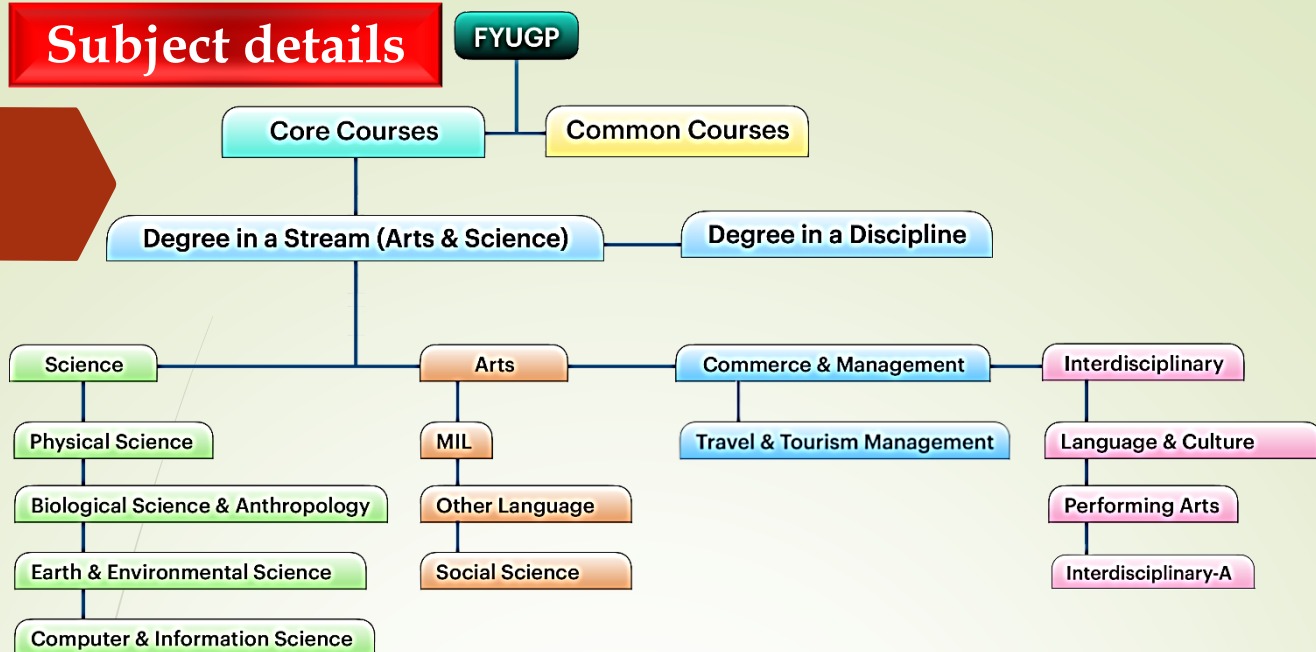
In this case, a student takes a three Minor subjects each with a minimum 6 courses over a period of three years. Apart from these, the student also needs to take 6 Core courses during Semesters 4-6 where s/he can pick any of the three core subjects s/he has already studied.





# Subject details

FYUGP



## Streams and their subject groups.

| Arts     |                |                        |
|----------|----------------|------------------------|
| MIL      | Other Language | Social Sciences        |
| Assamese | Arabic         | Economics <sup>†</sup> |
| Bengali  | English        | Education              |
| Bodo     | Persian        | History                |
| Hindi    |                | Philosophy             |
| Manipuri |                | Political Science      |
| Nepali   |                | Psychology             |
| Sanskrit |                | Sociology              |

<sup>†</sup> Dual-Stream subjects

|       |       |       |
|-------|-------|-------|
| Max 1 | Max 1 | Max 3 |
|-------|-------|-------|

| Interdisciplinary  |                    |                                  |
|--------------------|--------------------|----------------------------------|
| Language & Culture | Performing Arts    | Interdisciplinary-A              |
| Folklore           | Sattriya Tradition | Journalism & Mass Communication  |
| Linguistics        |                    | Library & Information Science    |
|                    |                    | Community Science (Home Science) |
|                    |                    | Human Rights Education           |

| Commerce & Management       |
|-----------------------------|
| Travel & Tourism Management |

|       |       |       |
|-------|-------|-------|
| Max 1 | Max 1 | Max 1 |
|-------|-------|-------|

| Science                       |                                   |                               |                                |
|-------------------------------|-----------------------------------|-------------------------------|--------------------------------|
| Physical Science              | Biological Science & Anthropology | Earth & Environmental Science | Computer & Information Science |
| Physics / Electronics Science | Anthropology <sup>†</sup>         | Environmental Science         | Computer Science               |
| Chemistry                     | Botany                            | Geology                       | Computer Application           |
| Mathematics <sup>†</sup>      | Zoology                           | Geography <sup>†</sup>        |                                |
| Statistics                    | Biotechnology                     |                               |                                |
| Instrumentation               | Microbiology                      |                               |                                |

<sup>†</sup> Dual-Stream subjects

|       |       |       |       |
|-------|-------|-------|-------|
| Max 3 | Max 2 | Max 1 | Max 1 |
|-------|-------|-------|-------|



## KEY POINTS

- A student can choose any three subjects from the subject groups Arts, Science, and Interdisciplinary
- However, the ability to take a subject from a particular group will depend on prerequisites and Group constraints.
- All subjects have at least one paper compulsory in all semesters.

At present the following subjects have **Major** as well as **Minor** options in Barkhetri College

| Arts Stream                     |  |  |
|---------------------------------|--|--|
| MIL                             | Other languages                              | Social Science   |
| Assamese, Hindi and Sanskrit    | Arabic, English                              | Economics, Education, History, Philosophy, Political Science |
| Science Stream                  |  |  |
| <b>Physical Science</b>         | <b>Biological Science &amp; Anthropology</b> | <b>Earth &amp; Environmental Science</b>                     |
| Chemistry, Mathematics, Physics | Botany, and Zoology                          | Geography  |

### Multidisciplinary subjects

1. **Natural & Physical Science:** Physics, Chemistry, Biological Science and Earth Science.
2. **Mathematical Science:** Basic Mathematics and Statistics.
3. **Computer Application:** Introductory Computer Applications and Programming, Information Technology
4. **Humanities & Social Science:** Basic Economics, Political Science, History, Philosophy, and Psychology, Women's and Gender Studies
5. **Library, Information and Media Sciences**

### Skill Courses

A student can take any skill course offered by the respective institution during Semesters 1-3.





# Prerequisites, Requirements & Constraints

The **prerequisites** are subjects that a student *must* have studied (and passed) in an earlier level of education (usually Class XI & XII) in order to be able to choose a subject.

In contrast to the prerequisites, **requirements** are certain conditions attached to some core subjects. For example, if a student wants to study Botany as a core subject, Chemistry as another core subjects has to be chosen. This is a 'requirement'. However, if one chooses Chemistry, there is no requirements.

**Constraints** refer to the maximum number of subjects a student can choose from a particular subject group. For example, one can choose a maximum of any two subjects from the group.

Below are the list of prerequisites, requirements and constraints for each Subject group

| Stream: Arts |  |              |
|--------------|--|--------------|
| MIL          |  |              |
| Subject      | Prerequisites  | Requirements |
| Assamese     | Assamese (X-level) for Minor & (XII-level) for Major | None         |
| Hindi        | Hindi (X-level)                                      |              |
| Sanskrit     | Sanskrit (X-level)                                   |              |

| Stream: Arts   |                   |              |
|----------------|-------------------|--------------|
| Other language |                   |              |
| Subject        | Prerequisites     | Requirements |
| Arabic         | None              | None         |
| English        | English (X-level) |              |

| Stream: Science                   |                                   |              |
|-----------------------------------|-----------------------------------|--------------|
| Biological Science & Anthropology |                                   |              |
| Subject                           | Prerequisites                     | Requirements |
| Botany                            | Biology (XII-level)               | Chemistry    |
| Zoology                           | Biology and Chemistry (XII-level) |              |

| Stream: Science               |                     |              |
|-------------------------------|---------------------|--------------|
| Earth & Environmental Science |                     |              |
| Subject                       | Prerequisites       | Requirements |
| Geography                     | Science (XII-level) | None         |

| Stream: Arts      |               |              |
|-------------------|---------------|--------------|
| Social Science    |               |              |
| Subject           | Prerequisites | Requirements |
| Economics         | None          | None         |
| Education         |               |              |
| History           |               |              |
| Philosophy        |               |              |
| Political Science |               |              |

| Stream: Science  |   |              |
|------------------|---|--------------|
| Physical Science |   |              |
| Subject          | Prerequisites   | Requirements |
| Chemistry        | Chemistry and Math (XII-level) for Major and only Chemistry (XII-level) for Minor | None         |
| Mathematics      | Math (XII-level)  |              |
| Physics          | Physics and Math (XII-level)  | Math         |



# ADMISSION PROCEDURE

- **Eligibility:** Candidates, who have passed the HSSLC examination of the Assam Higher Secondary Education Council (AHSEC) or any other equivalent examination, are eligible for admission into the three years/four years undergraduate programme, subject to the availability of seats.
- **Admission is given strictly on merit and governed by the Department of Higher Education (DHE), Government of Assam admission rules.**
- The decision of the admission committee regarding admission will be final. The college reserves the right to refuse admission to any one without assigning any reason thereof. Candidates selected must get themselves admitted on the very day of interview by making necessary payments, failing which they will forfeit their claim.
- An application form which is not submitted on or before the stipulated date or not completely filled-up shall not be considered for admission. All candidates seeking admission must appear for interview on the scheduled date in person or through his/her representative.
- Candidates shall have to produce the following documents in original along with self attached photostat copies at the time of Admission

- **Original Admit card of HSLC examination for age verification**
- **Original Marksheet and Certificate of the last examination passed.**
- **Two copies of passport size photographs of the candidate.**
- **Caste certificate (OBC/MOBC/SC/ST)**
- **Proficiency certificate regarding extra-curricular activities where necessary (Certificates below district level representative will not be entertained).**
- **Pass certificate from the Principal of the institution last attended by the candidate.**
- **Gap certificate (if necessary) only from the Head of the institution last attended or an affidavit from the NOTARY in Assam or any State.**
- **Differently abled certificate showing percentage of disability obtained from Govt medical officer.**

- **Reservation rules:** Reservation of seats will be as per government rules.

| SC | ST(Hills) | ST (Plains) | OBC/MOBC | Differently abled | Extra curricular activities |
|----|-----------|-------------|----------|-------------------|-----------------------------|
| 7% | 5%        | 10%         | C<br>27% | 3%                | 2%                          |

- **Applicability for free studentship**

**Category of Students eligible under the scheme:**

- Students whose parental income is less than Rs. 2.00 lakhs from all sources will be eligible to avail this scheme (applications under govt. fee waiver scheme)
- If either of the parent of the student is working in the state govt./Central govt/ Semi govt./ State or Central Govt. undertaking, such students shall not be eligible under this scheme.
- NCC or NSS certificate if any





## ➤ Proof of income/documents required for the free studentship

- An income certificate from Local Revenue Circle officer.
- A declaration from the students that neither of the parent or the student is an employee State/Central govt department or its undertaking. Such form shall be devised by the concerned Registrars/Principals. If such a declaration is found to be false, the admission shall be cancelled and fees shall be realized from such students, otherwise his/her admission will be forfeited.

## ➤ Scholarship

The students of Barkhetri College are entitled to apply for the following scholarships as per rule

- National Merit Scholarship
- State Merit Scholarship
- Merit cum means Scholarship
- ST/SC/OBC/MOBC (as prescribed by the project director, ITDP) Scholarship
- Minority Scholarship
- Ishan Uday Scholarship (UGC)

# HOW TO APPLY

Open the Samarth Portal ([www.assamadmission.samarth.ac.in](http://www.assamadmission.samarth.ac.in))

↓  
 Home page → Click on the New Registration → New page appears

1. Enter Name (as per Class X/XII marksheet)
2. Enter Date of Birth (as per Class X/XII Certificate)
3. Enter Applicants email (*Please use your own email as this will be used for all official communication*)
4. Enter a password (remember it for future)
5. Enter mobile number & Captcha (*Please use your mobile number as this will be used for all official communication*)

↓  
 OTP sent to mobile → Enter OTP & Submit  
 (Registration done)

↓  
 Upload all required documents  
 ↓  
 Submit Application

### Required documents

1. Aadhar number
2. Voter ID
3. Bank passbook and statement
4. Passport size photo
5. Mobile number
6. All academic marksheet & certificate



## Number of seat available in various programmes

| Subject name                       | Major seats in college  | Minor seats in College               |
|------------------------------------|---|--------------------------------------|
| Name of the Discipline/<br>Subject | Total seats when selected as<br>Major (Standard reservation<br>policy of State will apply | Total seat when selected as<br>Minor |
| Assamese                           | 50  | 200                                  |
| Elective Assamese                  | 00  | 150                                  |
| Arabic                             | 30  | 60                                   |
| Economics                          | 30  | 100                                  |
| Education                          | 40  | 150                                  |
| English                            | 30  | 150                                  |
| Hindi                              | 30  | 150                                  |
| Elective Hindi                     | 00  | 50                                   |
| Political Science                  | 50  | 150                                  |
| History                            | 30  | 100                                  |
| Geography                          | 30  | 100                                  |
| Philosophy                         | 40  | 150                                  |
| Sanskrit                           | 30  | 50                                   |
| Botany                             | 35  | 60                                   |
| Chemistry                          | 30  | 60                                   |
| Mathematics                        | 30  | 60                                   |
| Physics                            | 30  | 60                                   |
| Zoology                            | 35  | 60                                   |

**Timeline for admissions to undergraduate programme is to be declared on in Samarth website [www.assamadmission.samarth.ac.in](http://www.assamadmission.samarth.ac.in) as well as in the college website [www.barkhetricollege.in](http://www.barkhetricollege.in)**



**FEE CHART : 2024-25**

| Sl. No. | Particulars                                | 1 <sup>st</sup> Sem |             |
|---------|--|---------------------|-------------|
|         |  | Arts                | Science     |
| 1       | Admission fee                              | 400                 | 400         |
| 2       | Tuition fee                                | 840                 | 840         |
| 3       | Establishment fee                          | 500                 | 500         |
| 4       | Contingency fee                            | 200                 | 200         |
| 5       | College Development fee                    | 500                 | 500         |
| 6       | Electricity                                | 300                 | 300         |
| 7       | Examination (Internal)                     | 300                 | 300         |
| 8       | Library fee                                | 200                 | 200         |
| 9       | Identity card fee                          | 50                  | 50          |
| 10      | Students welfare                           | 100                 | 100         |
| 11      | NSS/ NCC/ Scouts and Guides                | 50                  | 50          |
| 12      | Laboratory caution                         | 0                   | 100         |
| 13      | Laboratory fees                            | 100                 | 600         |
| 14      | Faculty Development                        | 200                 | 200         |
| 15      | University fee                             | 680                 | 680         |
| 16      | G.U. Enrollment                            | 25                  | 25          |
| 17      | Affiliation                                | 50                  | 50          |
| 18      | IQAC                                       | 100                 | 100         |
| 19      | Student Union fee                          | 100                 | 100         |
| 20      | Festival fees                              | 300                 | 300         |
| 21      | Magazine fees                              | 150                 | 150         |
| 22      | Game fees                                  | 100                 | 100         |
| 23      | Youth festival fee                         | 50                  | 50          |
| 24      | Music and Culture fee                      | 50                  | 50          |
| 25      | Co-curricular activities fee               | 50                  | 50          |
|         | Debates & Talk                             | 20                  | 20          |
| 26      | a) General<br>b) Inter college competition |                     |             |
| 27      | Common Room fee                            | 20                  | 20          |
| 28      | <b>Total</b>                               | <b>5435</b>         | <b>6035</b> |



"Education Beyond Barriers"

# কৃষকান্ত সন্দিকৈ ৰাজ্যিক মুক্ত বিশ্ববিদ্যালয় K.K. HANDIQUI STATE OPEN UNIVERSITY



বৰ্ষেক্ত্ৰী মহাবিদ্যালয় অধ্যয়ন কেন্দ্ৰত নামভৰ্তি চলি আছে, ২০২৪-২৫ বৰ্ষ

**ONLINE ADMISSIONS OPEN FOR 2024-2025 AS PER NEP 2020**

Registration is going on for July 2024 session • Apply now : [www.kkhsou.in](http://www.kkhsou.in)

### 2 YEARS PG PROGRAMMES

Master of Arts (M.A.)  
Assamese | English | Education  
Economics | Political Science

### 4 YEARS UG PROGRAMMES

Bachelore of Arts (Honours)  
Assamese | English | Education  
Economics | Political Science  
History | Philosophy

### CERTIFICATE COURSE

Certificate in Early  
Childhood Education (ECE)

### DIPLOMA (FOR 10+2)

- ▶ Diploma in Sanskrit Learning (DSL)
- ▶ Diploma in Library and Information Science (DLIS)
- ▶ Diploma in creative writing in English (DCWE)

### KEY FEATURES

- ▶ Two Simultaneous Degree
- ▶ Flexible Entry & Exit.
- ▶ Free Education for Divyangian
- ▶ Digital Learning
- ▶ Online & Face to face Counselling
- ▶ Self Learning Materials
- ▶ Multimedia Resoures
- ▶ E-Mentoring

### Dr. Bhaskar Kalita

Principal / Centre In-charge  
Contact : 7002550338

### Azizul Hoque Ahmed

Centre Co-ordinator  
Contact : 9101917356



## Short Term Training (STT)



INDIAN INSTITUTE OF ENTREPRENEURSHIP



**AQUACULTURE WORKER ORGANIC GROWER**

CENTRE ADDRESS- BARKHETRI COLLEGE, NARAYANPUR-MUKALMUA  
P.O.- MUKALMUA, P.S. - MUKALMUA, DIST- NALBARI, ASSAM - 781126





## INFRASTRUCTURE AND FACILITIES OFFERED

- 1. Admission:** Only online admission facility is available Through SAMARTH portal.
- 2. College Administration:** Administrative activities are fully digitalized and automated with office management software. Activities like admission and registration of students, maintenance of accounts etc. are done digitally.
- 3. Classroom and Laboratories:** Adequate number of classrooms with spacious area are available. Two well equipped laboratories with sufficient spaces are available for the department of Geography and Education. For the science stream, there are four well equipped and well maintained sophisticated laboratories.
- 4. College Library:** The central library of the college “Rashid Ahmed Memorial Library” contains more than 10,000 books and has spacious reading spaces, which can accommodate more than 100 students at a time for self study. Apart from books, the library has 3 nos of Magazines, 2 nos of Journals, 4 nos of Newspapers and more than 500 back volumes of journals. Library automation works is also initially started with the help of ILMS soul 3.0
- 5. Departmental Library:** Apart from college central library, the students can also use the books of the department libraries.
- 6. Computer laboratory:** A computer laboratory consisting of around 30 branded computers loaded with windows latest version is also available in the college. The computers are connected to LAN through a central server.
- 7. Internal Quality Assurance Cell (IQAC):** This cell provide service towards the all around upgradation of all academic and administrative activities of the college in a planned manner. Currently, the cell is being operated by Dr. Utpal Kalita.
- 8. Information & Career Guidance Cum Placement Cell:** This cell endeavors to make students aware of employment opportunities and competitive examinations organized by different Govt. and Non Govt. agencies. The cell operates under the guidance of an experienced and resourceful teacher
- 9. Auditorium:** A sophisticated auditorium with a capacity to accommodate approximately 500 persons, fitted with latest equipment is available.
- 10. Common room for students:** The Boy’s and Girls’ common rooms are provided with adequate facilities.
- 11. Uninterrupted electric supply:** The college has one Diesel Generator sets with 13KVA capacities which provide uninterrupted power supply.
- 12. Canteen:** The college canteen remains open during class hours that provide hygienic food at nominal rate.
- 13. Smart classes:** We have set up two smart classrooms and three ICT classrooms to provide benefits of modern and digital modes of teaching to students.
- 14. Drinking water:** Purified drinking water is available at the college campus.
- 15. Feedback and Attendance:** Feedback of the students are maintained online and attendance is maintained offline.
- 16. Facilities for PWD:** Our college has ramps, wheel chairs, walking chair, walking stick, separate toilet etc. in all buildings for differently able students.





17. **Sports and cultural activities:** There is fine playground for outdoor games. All sports and cultural activities are officially arranged in the college during January/February of every year.
18. **NSS, NCC & Scout and Guide:** Students at Barkhetri College also get the opportunity to develop his/her personality and shape their attitude towards life by joining programs like National Service Scheme (NSS), National Cadet Corps (NCC) and Scout & Guide.
19. **Alumni Association:** The alumni association of the college holds periodic meetings among its members and keeps in touch with the principal about the various activities of the college.
20. **Barkhetri College Students' union:** Student's union represents the students of the college, which report any kind of problem faced by students and try to resolve with the help of the authorities.
21. **Research and Development cell:** This cell is constituted as per the latest UGC guidelines, which assess the research activities of the College Faculty members.

## RULES AND REGULATIONS

### Attendance rules

Attendance in class is strictly compulsory. A student must not attend less than 75% of the lectures delivered in each subject to become eligible for appearing in University examination. A student will be penalized if he/she fails to attend 75% of classes and will be considered as a non collegiate student. **A non collegiate student will have to pay a fine of Rs. 3000 along with supporting documents (for not being able to present 75% classes) to appear in the final examination.**

### College uniform

College uniform is compulsory for all students for all purposes inside the college campus.

- (1) **For Boys: White shirt (Full) and Black long pant**, Maroon colour Sweater/Blazer in the winter
- (2) **For Girls: White Kameez and Black colour Churidar/Shalawar & Dupatta**, Maroon Colour sweater in the winter.

Note: i) T-shirt, Jeans and jackets will not be allowed. ii) Traditional dresses are allowed only in festival celebration days.

### Student's Identity Card

Every student will be issued an identity card at the time of admission. The card which is non-transferable contains information about the holder, such as Name, Session, Class, Roll no., combination of subjects, etc. It also contains passport size photograph of the student duly endorsed by the Principal. It is mandatory for every student to carry the identity card with him/her so that it can be produced whenever necessary.





## Maintenance of Discipline

The students must maintain discipline on the college premises. They must not loiter aimlessly within the College campus. Students must spend their spare time/off periods in a way that will not cause any interference with the work of others. Bike-holders must obtain gate passes from the Principal. Cell phones are strictly prohibited inside college campus, otherwise may face disciplinary action. Students should, in their own interest, read every day all notices displayed on the notice boards as well as in college website from time to time, and be fully aware of the information displayed thereon. Smoking and sewing of ghutkas are strictly prohibited within the college campus

## Internal examination (compulsory)

Students should attend Sessional examinations, held for each subject of during each semester. Internal examinations are held generally after two months of the start of classes in both odd and even semester. Obtaining the pass marks in sessional/internal examination is compulsory. Internal assessment is done on the basis of students attendance and performance in the sessional examination.

## Punishable acts for Indiscipline

- 1) An act which causes destruction or defacing or loss of the property of the college and breaking into the premises of the college
- 2) An act of insubordination into or rude behaviour and use of impertinent language towards the Principal or any faculty member of the college or non-teaching staff.
- 3) An act that disrupts the smooth functioning of the college or environment conducive to the pursuit of knowledge or harmonious relationship between different group of students.
- 4) Any student found to be involved in ragging is liable to be expelled from the college and in addition may undergo imprisonment and fine, as per sections laid down in the Indian panel code.
- 5) An act of unruly and disorderly behaviour at any competitions, sports, cultural activities or other social or educational programmes organized by the college.
- 6) Smoking, consumption of alcohol, intoxicants and narcotic drugs, eve-teasing.
- 7) Collection of funds for any programme, picnic, excursion, project or activity without prior written permission of the appropriate authority.
- 8) Use of the name or address of the college or its officials or other authorities for making any representation on behalf of any student or a group of students to any public authority responsible for the management of the affairs of the college.
- 9) An act which interferes with the personal liberty of another person or subjects another to dignity, or involves physical violence or use of abusive language.
- 10) Generally, any other act of indiscipline which, in the opinion of the Principal of the college, is unbecoming a student.



**ADMINISTRATIVE PROFILE, BARKHETRI COLLEGE**

| SL. No. | Rank/ Designation   | Name of Designatee               |
|---------|---|----------------------------------|
| 1.      | Principal   | Dr. Bhaskar Kalita               |
| 2.      | Vice Principal, Ranger (Scout and Guide)<br>Convener Grievance Redressal Cell         | Shahjahana Begum                 |
| 3.      | Academic Officer  | Azizul Hoque Ahmed               |
| 4.      | Co-ordinator, IQAC  | Dr. Mokshed Ali                  |
| 5.      | Public Relation Officer, Integrated<br>University Management system (IUMS)<br>Officer | Nabajit Dev Adhikary             |
| 6.      | Program Officer, NSS  | Jnanendra Narayan Dev<br>Goswami |
| 7.      | C.T.O, NCC  | Samindra Kalita                  |
| 8.      | Rover, Scout and Guide  | Dibakar Dutta                    |
| 9.      | Women's Cell, Convener  | Gitanjali Biswas                 |
| 10.     | Convener, Anti Ragging Committee  | Jakir Hussain                    |
| 11.     | Chairperson, Career Counseling Cell   | Shahjahana Begum                 |
| 12.     | Convener, Digital Cell (website care)   | Dr. Barnali Deka                 |
| 13.     | Convener, Discipline Committee  | Ashfakur Rahman                  |
| 14.     | Chairperson, Minority Welfare Cell  | Saiful Islam                     |
| 15.     | Convener, Internal Compliance<br>Committee (Anti Sexual Harassment)                   | Dr. Ritamoni Patgiri             |
| 16.     | Chairman, NEP Task Force of Barkhetri<br>College                                      | Dr. Bhaskar Kalita               |
| 17.     | Program officer, Research and<br>Development Cell                                     | Dr. Fazar Ali                    |
| 18.     | Librarian   | Papari Haloi                     |
| 19.     | Alumni Association (President)  | Fakaruddin Ahmed                 |

**LIST OF TEACHING STAFF, BARKHETRI COLLEGE****ARTS STREAM****Department of Assamese**

|                          |  |               |
|--------------------------|--|---------------|
| Dewan Nazrul Islam (HoD) | Assistant Professor                      | M.A.          |
| Jakir Hussain            | Assistant Professor                      | M.A.          |
| Abdul Matlib             | Assistant Professor                      | M.A., SLET    |
| Tapan Baishya            | Assistant Professor (Non-<br>sanctioned) | M.A., M. Phil |

**Department of Economics**

|                       |                     |               |
|-----------------------|---------------------|---------------|
| Md. Nurul Islam (HoD) | Assistant Professor | M.A., M. Phil |
| Ashfakur Rahman       | Assistant Professor | M.A., MBA     |
| Nabajit Dev Adhikary  | Assistant Professor | M.A., M. Phil |





| <b>Department of Education</b>         |                                      |                            |
|--|--------------------------------------|----------------------------|
| Azizul Haque Ahmed (HoD)               | Assistant Professor                  | M.A., B. Ed                |
| Jyotshna Das                           | Assistant Professor                  | M.A.                       |
| Faizul Haque                           | Assistant Professor                  | M.A., M. Phil              |
| <b>Department of English</b>           |                                      |                            |
| Khairul Islam (HoD)                    | Assistant Professor                  | M.A., M. Phil              |
| Mizanur Rahman                         | Assistant Professor (Tutor)          | M.A., M. Phil              |
| Dr Khalilur Rahman                     | Assistant Professor (Tutor)          | M.A., Ph. D.               |
| <b>Department of Geography</b>         |                                      |                            |
| Matiur Rahman (HoD)                    | Assistant Professor (Tutor)          | M.A.                       |
| Niyazul Haque                          | Assistant Professor                  | M.A., M. Phil              |
| Dilip Chandra Haloi                    | Assistant Professor                  | M.A., SLET                 |
| Mahammad Azad                          | Assistant Professor (Non-Sanctioned) | M. A.                      |
| <b>Department of Hindi</b>             |                                      |                            |
| Ashok Chandra Das (HoD)                | Assistant Professor                  | M.A., M. Phil              |
| Gita Rabha                             | Assistant Professor (Tutor)          | M.A., M. Phil              |
| Samindra Kalita                        | Assistant Professor (Tutor)          | M.A., M. Phil              |
| <b>Department of History</b>           |                                      |                            |
| Md. Lokman Ali                         | Assistant Professor                  | M.A., B. Ed., LLB, M. Phil |
| Abdul Alim (HoD)                       | Assistant Professor                  | M. A.                      |
| Fakaruddin Ahmed                       | Assistant Professor                  | M. A., M. Phil             |
| Mantu Kalita                           | Assistant Professor (non-sanctioned) | M. A., M. Phil             |
| <b>Department of Arabic</b>            |                                      |                            |
| Saiful Islam (HoD)                     | Assistant Professor                  | M. A.                      |
| Dr. Joynab Khatun                      | Assistant Professor (Tutor)          | M. A., Ph. D.              |
| <b>Department of Philosophy</b>        |                                      |                            |
| Shahjahana Begum (HoD)                 | Assistant Professor                  | M.A.                       |
| Nurul Islam                            | Assistant Professor                  | M.A.                       |
| Dr. Fazar Ali                          | Assistant Professor (Tutor)          | M.A., PhD                  |
| Julfikar Ali                           | Assistant Professor (non-sanctioned) | M.A., M. Phil              |
| <b>Department of Political Science</b> |                                      |                            |
| Dr. Utpal Kalita (HoD)                 | Assistant Professor                  | M.A., M. Phil., PhD        |
| Ripon Choudhury                        | Assistant Professor                  | M.A., M. Phil              |
| Ayub Ali                               | Assistant Professor                  | M.A., SLET                 |
| <b>Department of Sanskrit</b>          |                                      |                            |
| Jnanendra Narayan Dev Goswami (HoD)    | Assistant Professor                  | M.A., SLET                 |
| Dr. Ritamoni Patgiri                   | Assistant Professor                  | M.A., PhD                  |
| Ritamoni Rajbongshi                    | Assistant Professor (Tutor)          | M. A.                      |

## SCIENCE STREAM

| Department of Botany      |                                      |                              |
|---------------------------|--------------------------------------|------------------------------|
| Nayan Pathak (HoD)        | Assistant Professor                  | M. Sc., SLET                 |
| Gitanjali Biswas          | Assistant Professor                  | M. Sc., M. Phil, SLET, B.Ed. |
| Department of Chemistry   |                                      |                              |
| Dr. Barnali Deka (HoD)    | Assistant Professor                  | M. Sc., Ph. D., SLET         |
| Kangkan Talukdar          | Assistant Professor                  | M. Sc., SLET, CSIR UGC NET   |
| Department of Mathematics |                                      |                              |
| Dr Mokshed Ali (HoD)      | Assistant Professor                  | M. Sc., M. Phil, PhD         |
| Mridul Haque Choudhury    | Assistant Professor                  | M. Sc., M. Phil              |
| Dr Mofidul Islam          | Assistant Professor (tutor)          | M. Sc., M. Phil, PhD         |
| Dr Rubi Das               | Assistant Professor                  | M. Sc., PhD, SLET            |
| Dibakar Dutta             | Assistant Professor                  | M. Sc., SLET, CSIR UGC NET   |
| Indrajit Narah            | Assistant Professor                  | M. Sc., CSIR-UGC NET         |
| Department of Physics     |                                      |                              |
| Dr Abhijit Boruah (HoD)   | Assistant Professor                  | M.Sc., Ph. D., SLET          |
| Rakesh Ruchel Khanikar    | Assistant Professor                  | M.Sc. SLET                   |
| Biswajit Dehingia         | Assistant Professor                  | M.Sc. SLET                   |
| Department of Zoology     |                                      |                              |
| Dipika Doloi (HoD)        | Assistant Professor                  | M. Sc., SLET, GATE           |
| Dr Sanhita Purkayastha    | Assistant Professor                  | M. Sc., PhD, SLET            |
| Eyashin Ali               | Assistant Professor (non-sanctioned) | M.Sc.                        |

## LIST OF LIBRARY STAFF

|                 |                                 |
|-----------------|---------------------------------|
| Papari Haloi    | Librarian                       |
| Soneswar Das    | Assistant Librarian             |
| Rajeswar Das    | Library Assistant               |
| Shinbhujit Deka | Library Bearer (non-sanctioned) |

## LIST OF OFFICE STAFF

|                         |                           |
|-------------------------|---------------------------|
| Mainul Haque            | Upper Division Assistant  |
| Gauri Mahanta           | Upper Division Assistant  |
| Shahedur Rahman         | Lower Division Assistant  |
| Anjuwara Begum          | Lower Division Assistant  |
| Abdul Kashim            | Lower Division Assistant  |
| Udangshree Daimary      | Laboratory Assistant      |
| Dipak Barman            | Grade IV                  |
| Mainul Haque            | Grade IV                  |
| Samnur Ali              | Grade IV                  |
| Hoto Ram Talukdar       | Grade IV                  |
| Atikur Rahman Choudhury | Grade IV                  |
| Nurul Haque Ali         | Laboratory Bearer         |
| Naresh Das              | Laboratory Bearer         |
| Chittaranjan Talukdar   | Laboratory Bearer         |
| Anjuma Yasmin           | Laboratory Bearer         |
| Mainul Ali              | Grade IV (non-sanctioned) |



**Academic Calendar 2024-25**

| Sl. No. | Event  | Date   |
|---------|--|--|
| 1       | Completion of Admission process for all undergraduate (UG) programmes  | End of July 2024   |
| 2       | Commencement of classes for odd semester/year (3 <sup>rd</sup> and 5 <sup>th</sup> Semester and Fresh batch (1 <sup>st</sup> Semester) | For 3 <sup>rd</sup> and 5 <sup>th</sup> semester: After completion of examination of even semester<br>For 1 <sup>st</sup> semester: 01 August 2024 |
| 3       | Conduction of Sessional examination  | Last week of September 2024  |
| 4       | Conduction of End semester examinations (Odd semester)   | Last week of November 2024   |
| 5       | Winter vacation  | Tentatively from 31 December 2024 to 15 January 2024   |
| 6       | Commencement of classes for even semester  | 17 January 2025  |
| 7       | Conduction of sessional examinations   | 1 <sup>st</sup> week of April 2025   |
| 8       | Conduction of Final semester examinations (Even semester)  | May-June 2025  |
| 9       | Commencement of next academic session  | 1 <sup>st</sup> August 2025  |

Note: Depending on requirement, there may be changes by Gauhati university whenever necessary

**Holiday list 2024 (August to December)**

| Month     | Date         | Holiday  |
|-----------|--------------|--|
| August    | 15 August    | Independence day   |
|           | 23 August    | Tithi of Sri sri Madhabdeva  |
|           | 26 August    | Janmastomi   |
| September | 4 September  | Tithi of Srimanta Sankardeva   |
| October   | 2 October    | Gandhi Jayanti   |
|           | 9-18 October | Durga Puja, Lakshmi Puja, Janmostav of Srimanta Sankardev, Kati Bihu |
|           | 31 October   | Kali puja  |
| November  | 1 November   | Dipawali   |
|           | 3 November   | Bhatri Dwitiya   |
|           | 7 November   | Chhat Puja   |
|           | 15 November  | Guru Nanak's Birthday  |
|           | 24 November  | Lachit Divas   |
| December  | 2 December   | Asom Divas (Su-ka-Pha Divas)   |
|           | 25 December  | Christmas  |



# Laboratories at a glance





# Departmental groups at cultural rally







## **PUBLISHED BY-**

The Principal  
Barkhetri College  
Narayanpur, Mukalmua  
Nalbari, Assam, Pin – 781126  
**Website:** [www.barkhetricollege.ac.in](http://www.barkhetricollege.ac.in)  
**Email:** [barkhetricollege83@gmail.com](mailto:barkhetricollege83@gmail.com)

## **PROSPECTUS COMMITTEE**

Dr. Bhaskar Kalita (Principal)  
Shahjahana Begum (Vice-Principal)  
Azizul Haque Ahmed (Academic  
officer cum HoD, Education)  
Dr. Abhijit Boruah (HoD, Physics)